

KATO

CR-100

CITYRANGE CRANE



- Maximum rated lifting capacity: 10t 360°
- Maximum boom length: 23.5m(Main boom)

Even more compact, the CR-100 CITYRANGE CRANE packs a lot of punch into a small machine



Features of the CR-100

- 1) Compact and highly manoeuvrable.
- 2) Simple to use independent rear steering.
- 3) Compact tail swing for working in confined areas.
- 4) Six-section, fully powered 23.5m main boom.
- 5) Standard twin winches and rooster sheave (1.4 tonnes line pull on rooster sheave).
- 6) Optional detachable lightweight 2.5m fly jib. Easy to handle, deck stowed with 15°, 30° and 45° offsets.
- 7) Remote hook stowage system.
- 8) KATO safe load indicator with "working range limit mode."



A small machine offering precise professional lifting



SIX-SECTION, 23.5M MAIN BOOM

- The long boom is fully powered between 5.5m and 23.5m with a maximum hook height of 24.5m.

OPTIONAL DETACHABLE, CHASSIS STOWED QUICK FITTING FLY JIB

- 2.5m fly jib with 15°, 30° and 45° offsets giving maximum hook height of 26.7m. Easily rigged even in confined areas, the choice of three offsets is ideal for working close to buildings and lifting onto rooftops.

COMPACT TAIL SWING

- The tail swing is only 1.78m, ideal for working in confined spaces.

A STANDARD KATO ACS-SLI WITH "WORKING RANGE LIMIT" FUNCTIONS INCLUDING BOOM UPPER AND LOWER ANGLES, TELESCOPING AND SLEWING (The slewing is a warning only.)



WORKING RANGE LIMITING FUNCTION



STANDARD TWIN WINCHES AND ROOSTER SHEAVE

- Powerful twin high-speed winches are fitted as standard. The rooster sheave is particularly useful having a line pull of 1.4 tonnes.(13.7KN)



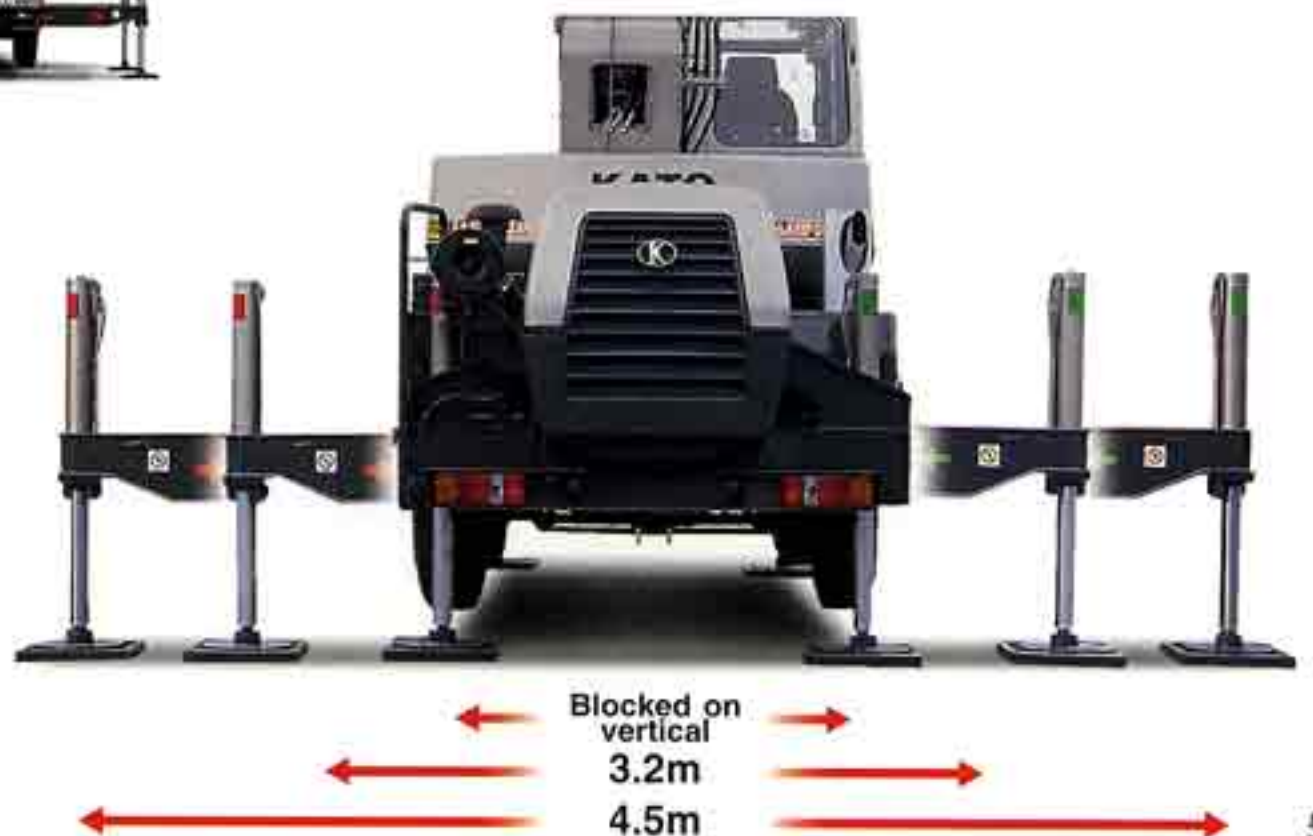
HOOK STOWAGE SYSTEM

- This system allows the hooks to be stowed remotely from the cab. It gives quick and easy preparation for work and stowage after the job is finished, particularly in confined spaces where derricking is restricted.



THREE POSITION OUTRIGGERS

- There are three positions for the outriggers, fully extended(4.5m), intermediate(3.2m) and fully retracted, all covered by the safe load indicator.





Designed for the professional crane operator

SEAT SIDE OPERATION LEVERS

• The control levers at the side of the seat allow for relaxed operation while maintaining the simplicity, precision and reliability of long levers.



Useful operator equipment



•Cool/Warm box



•Tea table



•Air conditioning(Option)



•Operator's cab



•Overhead side console



•Centre console

A new opportunity - this CITYRANGE CRANE offers new lifting solutions

FULL AUTOMATIC TRANSMISSION WITH HIGH/LOW TRANSFER

- Using the optimum gear ratio combination of 4 forward and 1 reverse speeds with High/Low select, this gearbox maximizes engine power and increases fuel economy as well as providing comfortable and satisfying driving.

GOOD ACCESSIBILITY FOR ENGINE MAINTENANCE

- Engine: HINO Motors, Ltd. EA-W04C-TV (118kW at 3,000min⁻¹/471N-m at 1,600min⁻¹)



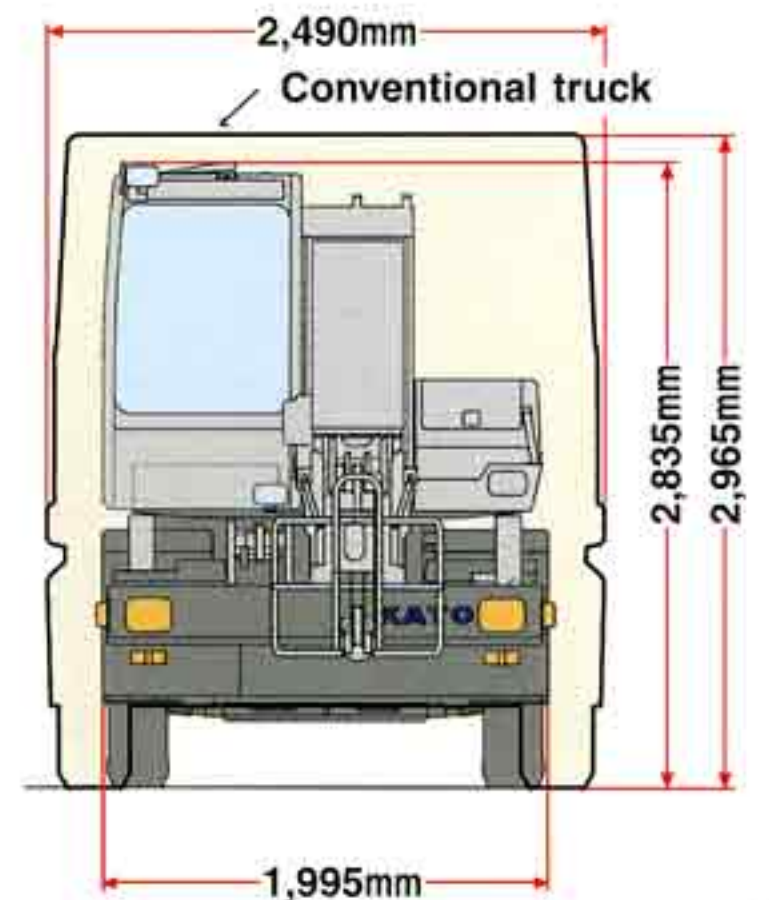
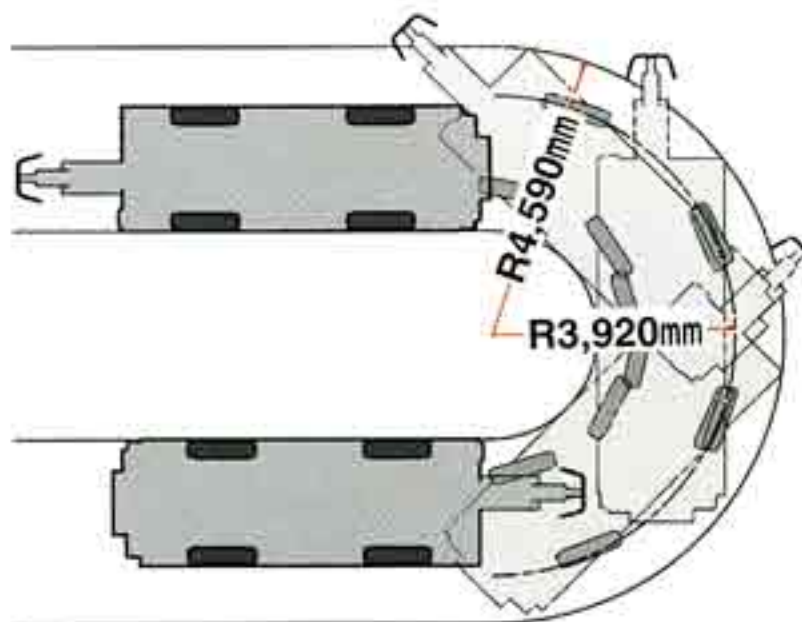
REMOTE CONTROLLED RETRACTABLE SIDE MIRRORS ON BOTH SIDES



Minimum turning radius (Centre of extreme outer tyre)
3.92m (4 wheel steer) / 6.5m (2 wheel steer)



5,780mm



■ CITYRANGE CRANE SERIES



CR-100

- Maximum rated lifting capacity: 10t 360°
- Maximum boom length: 23.5m

CR-250

- Maximum rated lifting capacity: 25t 360°
- Maximum boom length: 28.0m

*Some differences may arise between the machine delivered and the photographs in the catalogue due to the country the crane will be used in or any added improvements.

Note: The specification may be changed without notice.

*Before you use the crane, study the instruction manual thoroughly and follow the instructions it contains.

*The actual colours of the body and interior may appear slightly different from those shown in this catalogue due to the limitations of photography and printing.

Please address enquiries to:

KATO

**QUALITY & EXPERIENCE
SINCE 1895**



KATO WORKS CO.,LTD.

9-37, Higashi-ohi 1-chome, Shinagawa-ku, Tokyo 140-0011, Japan.

Overseas Marketing Department

Telephone: +81(0)3 3458 1115

Facsimile : +81(0)3 3458 1151

<http://www.kato-works.co.jp/>