





SPD360/SPD360C+

 3100 x 800 x 1990 mm
 4000 x 4000 mm

	kg
 SPD360C+ SPD360CDH	2400 2300
	0
 2T-D7	20
 PP400-4E (DF) PP220-4E (D)	50
	50
	100
	165
	295

SPD360CDH	 KUBOTA D722-E3B		
	 3	kW	14,9kW 20Hp

SPD360C+	 n°4 6V 420Ah	kW	24V-DC 3,0 kW 4,1 Hp
----------	---	-----------	----------------------------



3,4-12,1 m 40 sec.

0°/70° 24 sec.

360 1,5 rpm

	600 kg	60 m - Ø 7 mm
	SPD360C+	SPD360CDH
	16 m/min	18/35 m/min

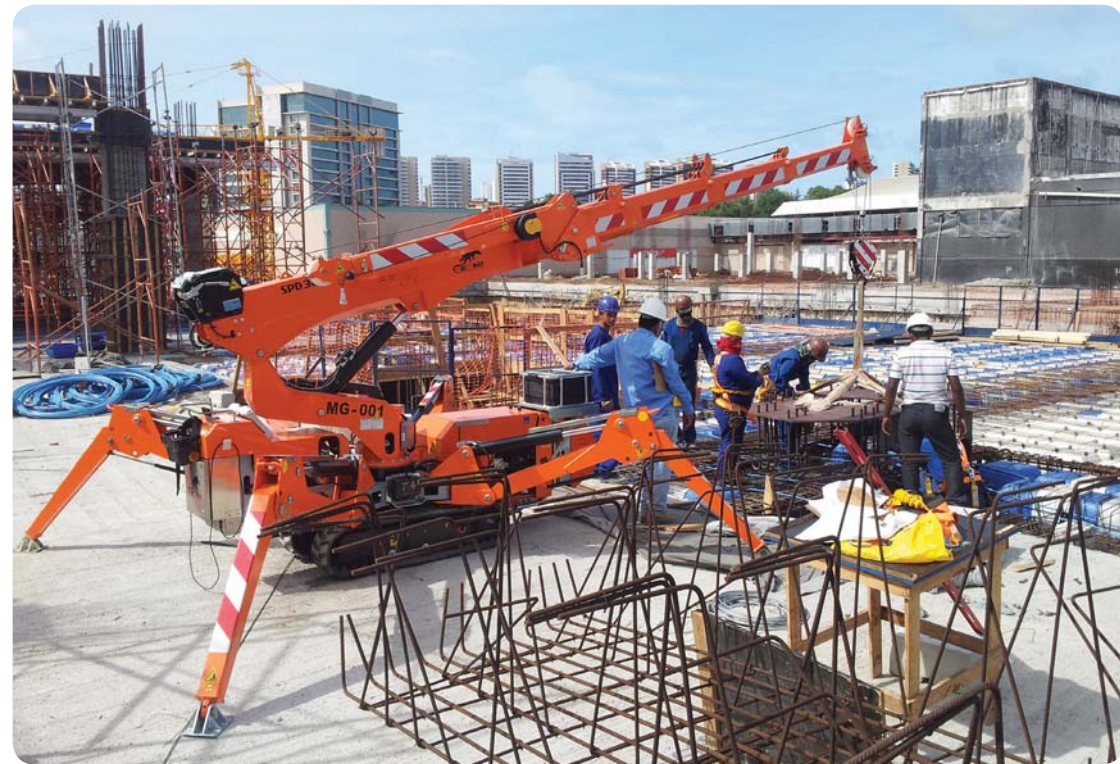
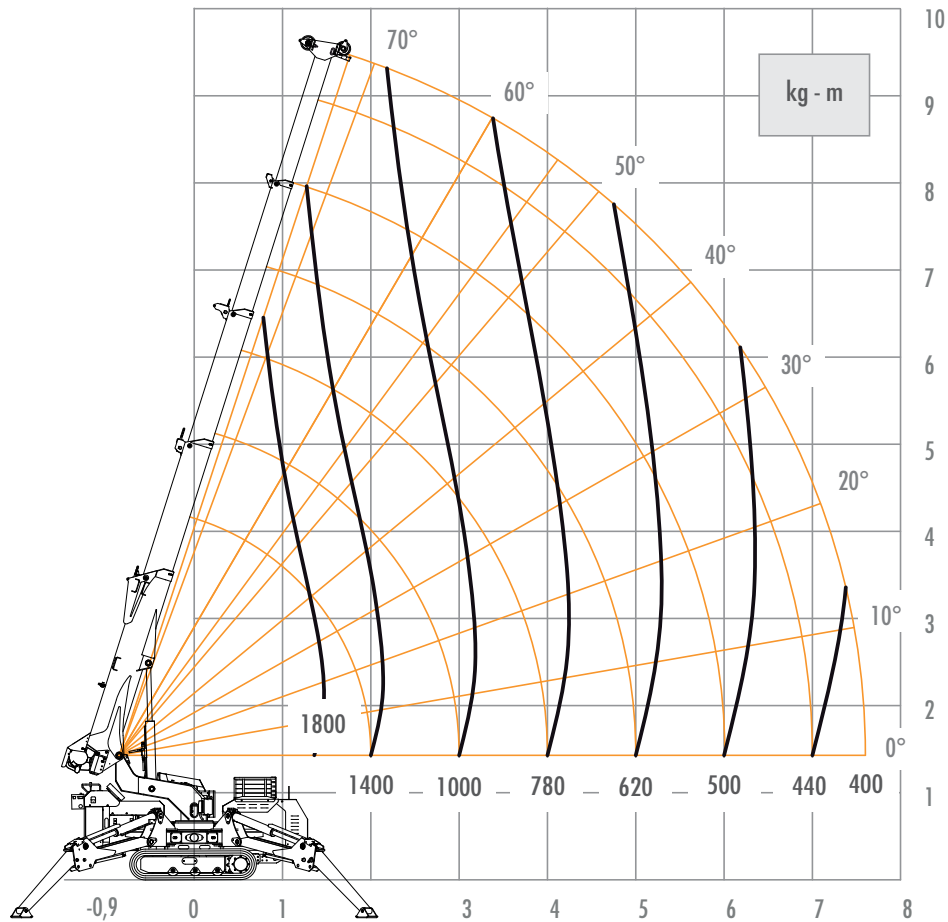
	1800 Kg	3	 -15 m
	1200 Kg	2	 -25 m
	600 Kg	1	 -55 m

	4 kW - 3F	400 VAC 50 Hz
	4 kW - 1F	220 VAC 60 Hz





	1900 kg	
	20°	
	0,44 Kg/cm ²	
	1,0 Km/h	
	SPD360C+	SPD360CDH
	1,8 Km/h	1,8 Km/h

	1800 Kg
	10,5 m
	13,0 m

- BPI**
- CCI**
- SCI**
- A2B**
- DTC**



JIB800G	JIB600.1MX	JIB800.1H	MR800.4
---------	------------	-----------	---------

 <p>MAX 800 Kg</p>	 <p>MAX 600 Kg</p>	 <p>MAX 800 Kg</p>	 <p>MAX 800 Kg</p>
<p>MAX ↑ 10,0 m</p> <p>MAX ↓ 800 kg</p>	<p>MAX ↑ 13,0 m</p> <p>MAX ↓ 600 kg</p>	<p>MAX ↑ 12,5 m</p> <p>MAX ↓ 800 kg</p>	<p>MAX ↑ 10 m</p> <p>MAX ↓ 450 kg</p>
<p>MAX → 8,0 m</p> <p>MAX ↓ 300 kg</p>	<p>MAX → 7,5 m</p> <p>MAX ↓ 340 kg</p>	<p>MAX → 10,5 m</p> <p>MAX ↓ 150 kg</p>	<p>MAX → 6,5 m</p> <p>MAX ↓ 270 kg</p>

